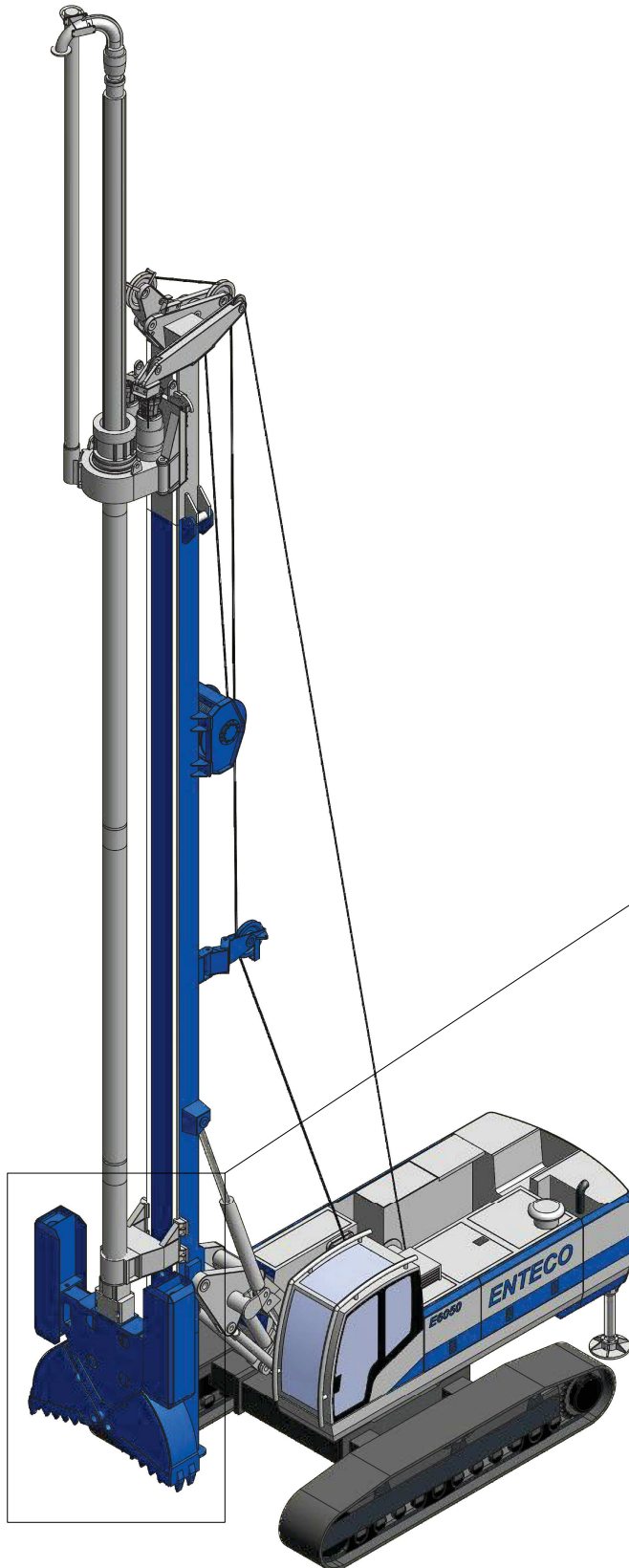


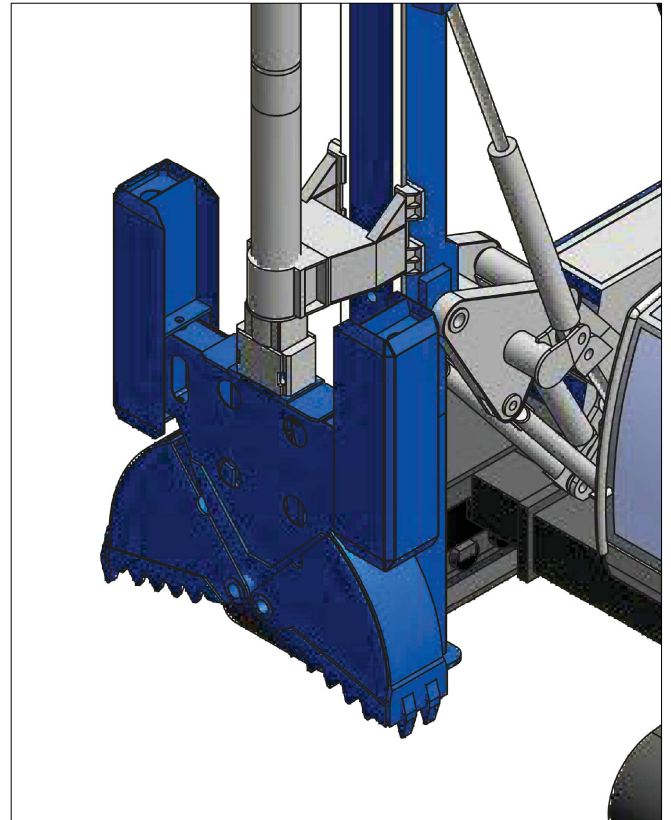
E 6050

SP - HG

DIAPHRAGM WALL KIT



The diaphragm wall grab is mounted on the Kelly of the SP Kit instead of the standard tool



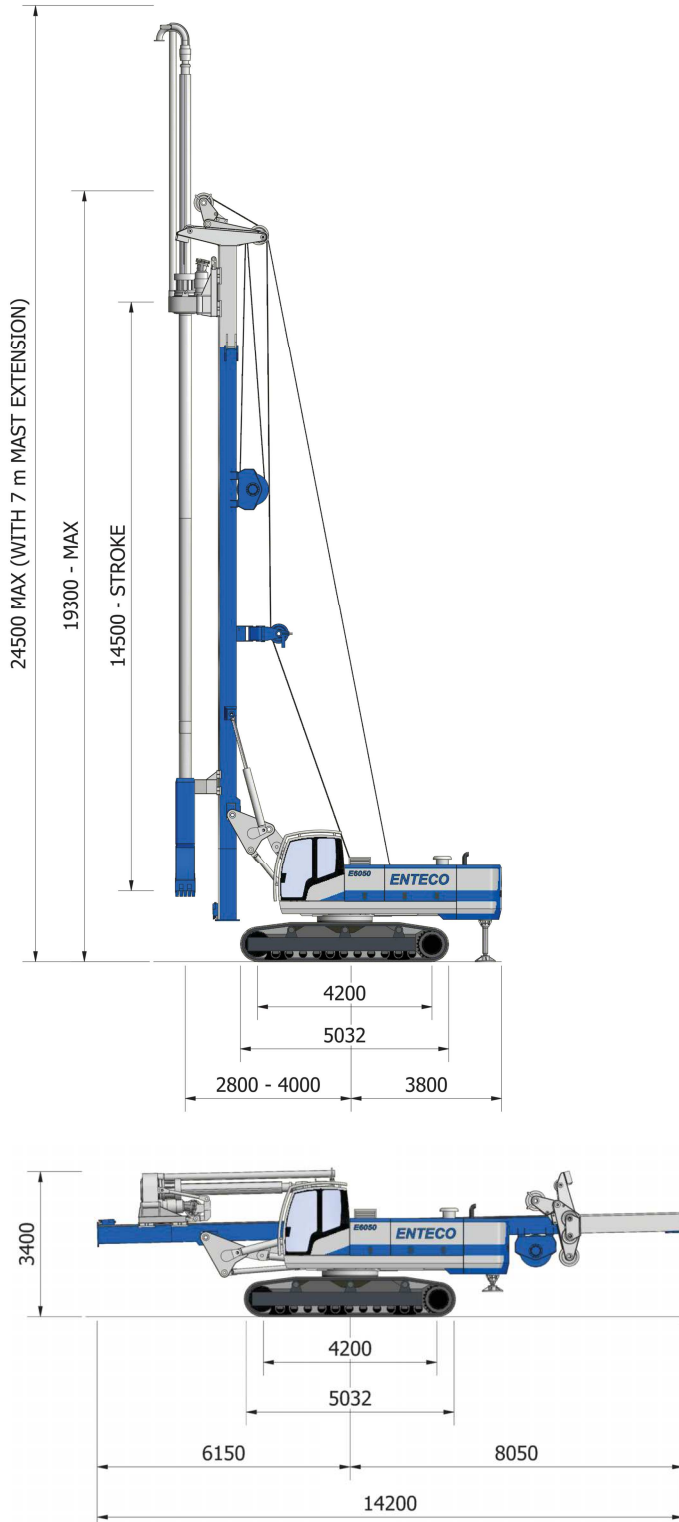
The benefits of the new SP-HG Kit are:

- Low initial investment;
- Self-erecting equipment (no service cranes are needed) ;
- Accurate excavation verticality, thanks to the patented ENTECO coupling joints and Kelly (forming an extremely rigid mono-block Kelly) ;
- Excellent penetration capacity even in very stiff soil, thanks to the thrust provided by the SP Kelly to the grab (pull-down winch) ;
- Excellent productivity due to the high winch speed;
- Standard grab rotation of +/- 45 degrees. A kit which rotates the grab 180° at every trenching cycle is also available;
- Outstanding excavation depth: 26 m;
- Minimum panel size: 300 mm x 2000 mm (or 2500 mm) ;
- Maximum panel size: 1500 mm x 2500 mm (or 3000 mm) .

E 6050

SP - HG

DIAPHRAGM WALL KIT



E 6050 SP-HG DIAPHRAGM WALL KIT

OPERATING WEIGHT	mm	up to 56	
Max depth	m	26	
MAST			
Front/Rear inclination		+4°/-15°	
Side inclination		±4°	
CROWD SYSTEM			
WINCH			
Stroke	mm	14500	
Crowd force	kN	200	
Extraction force	kN	530	
GRAB			
Model	ENTECSO HG3	ENTECSO HG4	
Width of trench	mm	300÷1200	400÷1500
Length of trench	mm	2000-2500	2500-3000
Kelly extension	m		3, 7, 12
ROTATION OF GRAB			
Standard		±45°	
Option (180° kit)		180°±45°	

E 6050 - BASE MACHINE

CRAWLERS			
Overall width	mm	3000÷4200	
Track pads	mm	700	
Crawler drive speed	km/h	2.1	
DIESEL ENGINE			
		STANDARD	OPTION
Model	CATERPILLAR	C9 Tier 3	C9.3 Tier 4 Final
Rated power	HP/kW	350/261	350/261
Fuel tank capacity	litres	400	400
MAIN WINCH			
Max line-pull 1st layer	kN	165	
Free-fall device		option	
AUXILIARY WINCH			
		STANDARD	OPTION
Max line-pull 1st layer	kN	50	70
Free-fall device		option	option



Via Kennedy, 16 - 30024 MUSILE di Piave - VENEZIA - ITALIA
Tel +39 0421 67.99.77 - Fax +39 0421 67.99.93 - e-mail: info@entecodrill.com - www.entecodrill.com

E6050-SP-HG 090Q-406 20160930