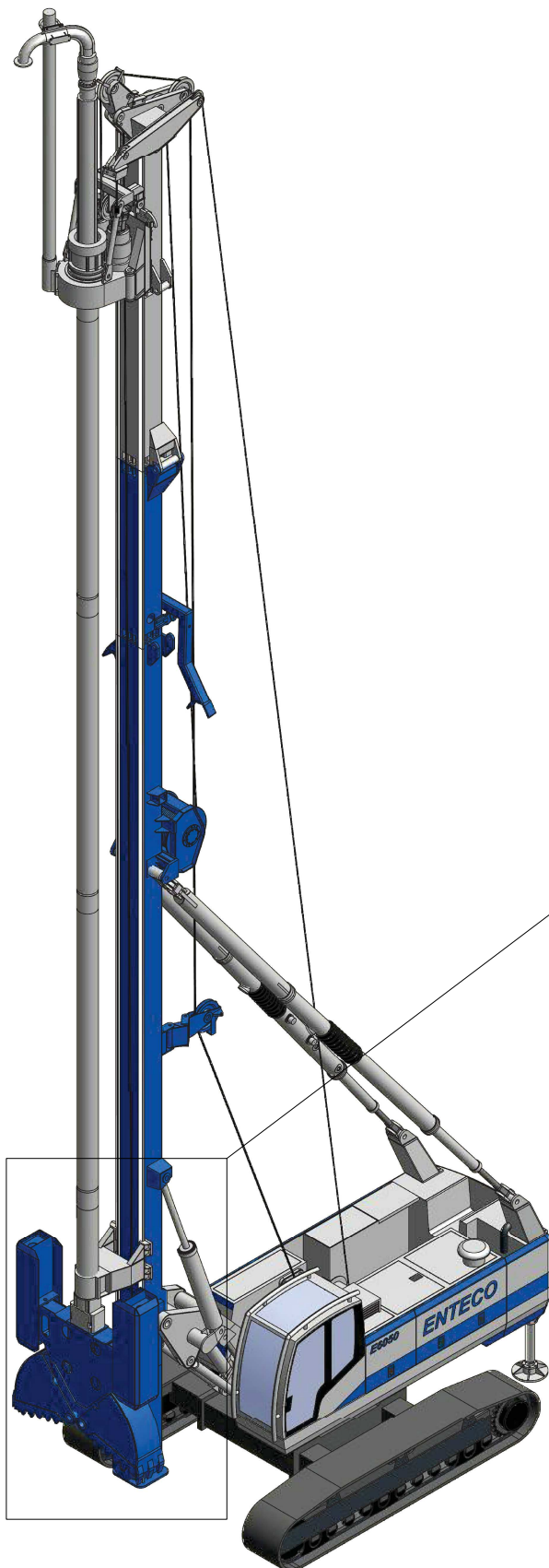


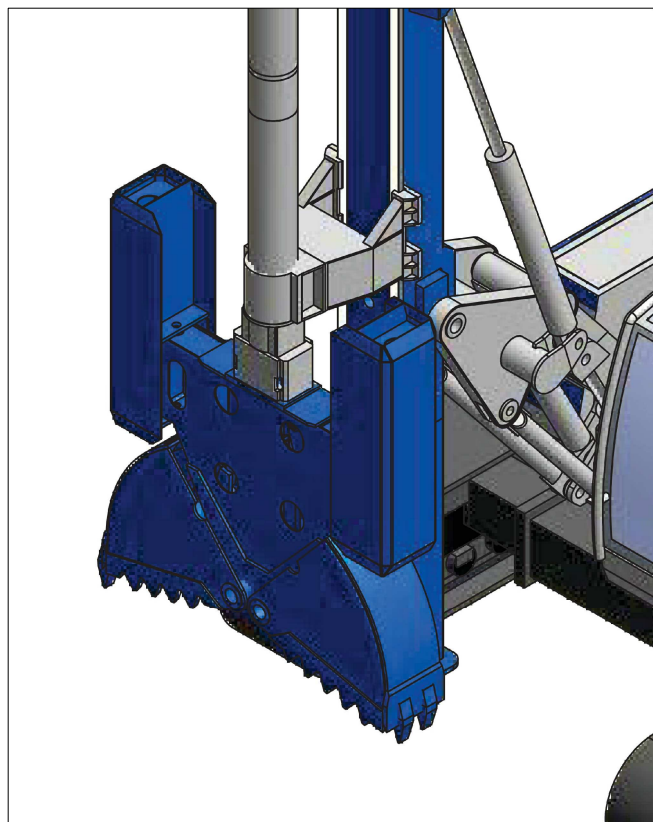
# E 6050 LM

SP - HG

DIAPHRAGM WALL KIT



The diaphragm wall grab is mounted on the Kelly of the SP Kit instead of the standard tool



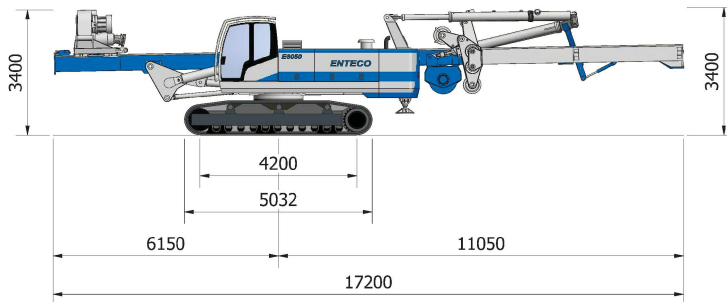
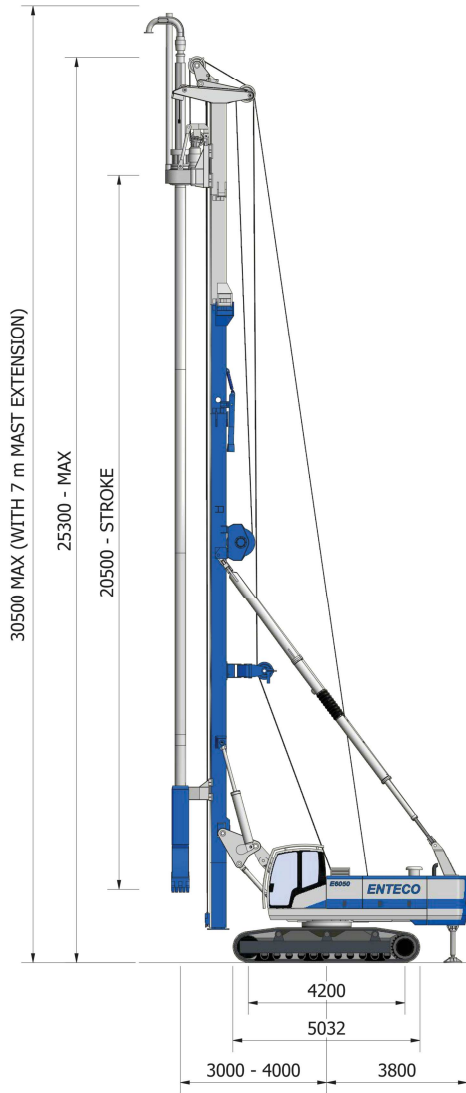
The benefits of the new SP-HG Kit are:

- Low initial investment;
- Self-erecting equipment ( no service cranes are needed ) ;
- Accurate excavation verticality, thanks to the patented ENTECO coupling joints and Kelly ( forming an extremely rigid mono-block Kelly ) ;
- Excellent penetration capacity even in very stiff soil, thanks to the thrust provided by the SP Kelly to the grab ( pull-down winch ) ;
- Excellent productivity due to the high winch speed;
- Standard grab rotation of +/- 45 degrees. A kit which rotates the grab 180° at every trenching cycle is also available;
- Outstanding excavation depth: 32 m;
- Minimum panel size: 300 mm x 2000 mm ( or 2500 mm ) ;
- Maximum panel size: 1500 mm x 2500 mm ( or 3000 mm ) .

# E 6050LM

SP - HG

DIAPHRAGM WALL KIT



## E 6050LM SP-HG DIAPHRAGM WALL KIT

<b>OPERATING WEIGHT</b>	mm	up to 59
Max depth	m	32
<b>MAST</b>		
Front/Rear inclination		+4°/-15°
Side inclination		±4°
<b>CROWD SYSTEM</b>		<b>WINCH</b>
Stroke	mm	20500
Crowd force	kN	200
Extraction force	kN	530
<b>GRAB</b>		
Model	ENTEKO HG3	ENTEKO HG4
Width of trench	mm	300÷1200
Length of trench	mm	2000-2500
Kelly extension	m	3, 7, 12
<b>ROTATION OF GRAB</b>		
Standard		±45°
Option ( 180° kit)		180°±45°

## E 6050LM - BASE MACHINE

<b>CRAWLERS</b>			
Overall width	mm	3000÷4200	
Track pads	mm	700	
Crawler drive speed	km/h	2.1	
<b>DIESEL ENGINE</b>		<b>STANDARD</b>	<b>OPTION</b>
Model	CATERPILLAR	C9 Tier 3	C9.3 Tier 4 Final
Rated power	HP/kW	350/261	350/261
Fuel tank capacity	litres	400	
<b>MAIN WINCH</b>			
Max line-pull 1st layer	kN	165	
Free-fall device		option	
<b>AUXILIARY WINCH</b>		<b>STANDARD</b>	<b>OPTION</b>
Max line-pull 1st layer	kN	50	70
Free-fall device		option	option



Via Kennedy, 16 - 30024 MUSILE di Piave - VENEZIA - ITALIA  
Tel +39 0421 67.99.77 - Fax +39 0421 67.99.93 - e-mail: info@entecodrill.com - www.entecodrill.com