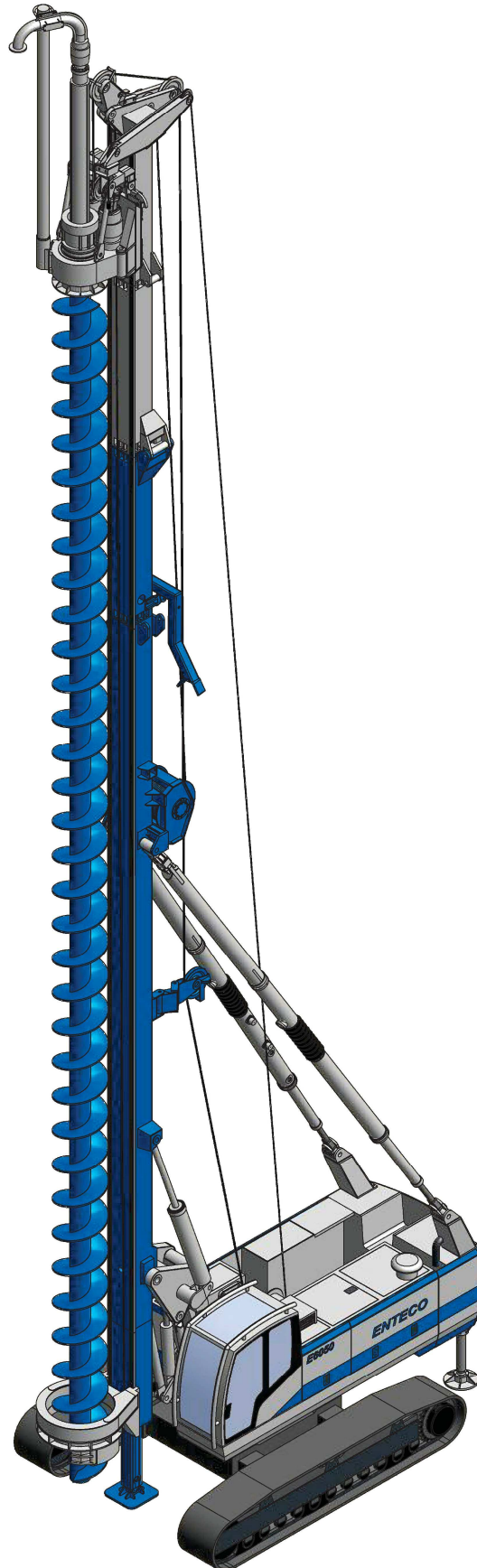


E 6050 LM

CFA240

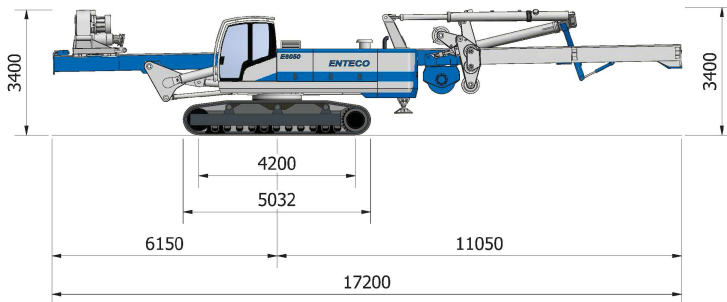
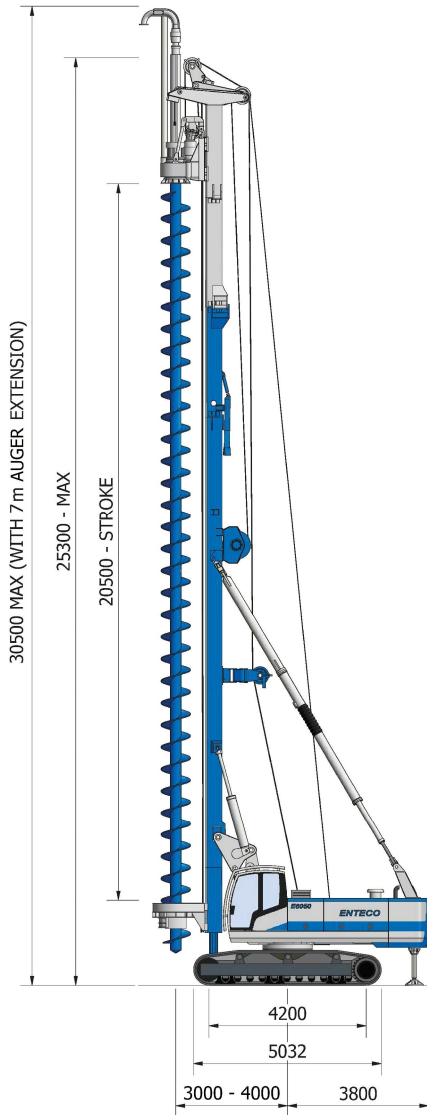
CONTINUOUS FLIGHT AUGER KIT



E 6050LM

CFA240

CONTINUOUS FLIGHT AUGER KIT



E 6050LM - CFA240 CONTINUOUS FLIGHT AUGER KIT

OPERATING WEIGHT	ton	up to 59
Drilling diameter	mm	350+1200
Max drilling diameter with carriage spacer	mm	1200
Max drilling diameter without carriage spacer	mm	900
Max drilling depth	m	31
MAST		
Front/Rear inclination		+4°/-15°
Side inclination		±4°
CROWD SYSTEM		WINCH
Rotary stroke	mm	20500
Crowd force	kN	200
Extraction force	kN	530
ROTARY		
Model		ENTECO RH41/2
Max torque	kNm	245
Max drilling speed	rpm	39-60
Auger extension	m	3, 7 or 12
ROTATING AUGER CLEANER		
Max diameter	mm	900 or 1200
Reduction	mm	down to 400

E 6050LM - BASE MACHINE

CRAWLERS		STANDARD	OPTION
Overall width	mm	3000+4200	3200+4400
Track pads	mm	700	900
Crawler drive speed	km/h	2.1	2.1
DIESEL ENGINE			
Model	CATERPILLAR		C9 ACERT
Rated power	HP/KW		350/261
Fuel tank capacity	litres		400
MAIN WINCH			
Max line-pull 1st layer	kN		165
Free-fall device			option
AUXILIARY WINCH		STANDARD	OPTION
Max line-pull 1st layer	kN	50	70
Free-fall device		option	option



Via dell'Artigianato, 33 - Z.I. - 30020 Fossalta di Piave - VENEZIA - ITALIA
 Tel +39 0421 67.99.77 - Fax +39 0421 67.99.93 - e-mail: info@entecodrill.com - www.entecodrill.com

E6050LM - CFA240 090Q-214 20131023