

# *E 6050 LM*

R240

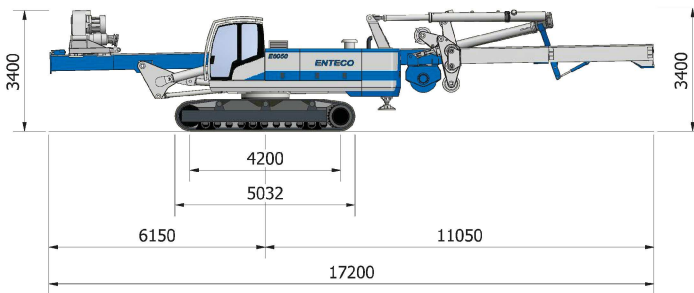
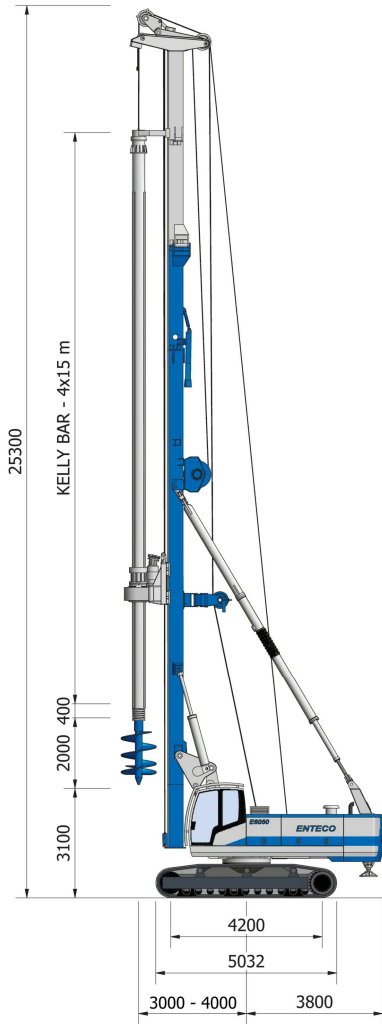
B O R E D P I L E S K I T



# E 6050LM

## R240

### BORED PILES KIT



#### E 6050LM - R240 BORED PILES KIT

OPERATING WEIGHT	ton	up to 59
Drilling diameter Auger in front of the mast	mm	1500
Drilling diameter with carriage spacer Auger in front of the mast	mm	1800
Drilling diameter Auger beneath the mast	mm	2000
Max drilling depth	m	69

#### MAST

Front/Rear inclination	+4°/-15°
Side inclination	±4°

#### CROWD SYSTEM

	WINCH	CYLINDER
Rotary stroke	mm	20500
Crowd force	kN	200
Extraction force	kN	200

#### ROTARY

Model	ENTECO RH41/2	
Max torque	kNm	245
Max drilling speed	rpm	39+60
Spin-off speed	rpm	160

#### INTERLOCKING KELLY-BAR

Type - elements/length	3x9 m	3x12 m	4x12 m	4x15 m
Max depth	m	24	33	44
Weight	kg	3800	5000	6800

#### FRICTION KELLY-BAR

Type - elements/length	5x9 m	5x12 m	5x15 m
Max depth	m	40	54
Weight	kg	4200	6500

#### E 6050LM - BASE MACHINE

CRAWLERS	STANDARD	OPTION
Overall width	mm	3000+4200
Track pads	mm	700
Tramming speed	km/h	2.1

#### DIESEL ENGINE

Model	CATERPILLAR	C9 ACERT
Rated power	HP/kW	350/261
Fuel tank capacity	litres	400

#### MAIN WINCH

Max line-pull 1st layer	kN	165
Free-fall device		option

#### AUXILIARY WINCH

	STANDARD	OPTION
Max line-pull 1st layer	kN	50
Free-fall device	option	option



Via dell'Artigianato, 33 - Z.I. - 30020 Fossalta di Piave - VENEZIA - ITALIA  
Tel +39 0421 67.99.77 - Fax +39 0421 67.99.93 - e-mail: info@entecodrill.com - www.entecodrill.com

E6050LM - R240 0900-225 20131023